

## End clamp - E/AL-NS 35 - 1201662

Please be informed that the data shown in this PDF Document is generated from our Online Catalog. Please find the complete data in the user's documentation. Our General Terms of Use for Downloads are valid (<http://phoenixcontact.com/download>)



End clamp, for end support of UKH 50 to UKH 240, is pushed onto DIN rail NS 35 and fixed with 2 screws, width: 10 mm, color: aluminum

### Your advantages

- ✓ Large-surface labeling
- ✓ The E/AL-NS 35 provides optimum support for large terminal blocks and devices

### Key Commercial Data

Packing unit	1 pc
Minimum order quantity	10 pc
GTIN	 4 017918 017439
GTIN	4017918017439
Weight per Piece (excluding packing)	29.940 g
Custom tariff number	76169990
Country of origin	Germany

### Technical data

#### Dimensions

Height	44 mm
Length	59 mm
Width	10 mm

#### General

Material	Aluminum
Color	silver

# End clamp - E/AL-NS 35 - 1201662

## Technical data

### Standards and Regulations

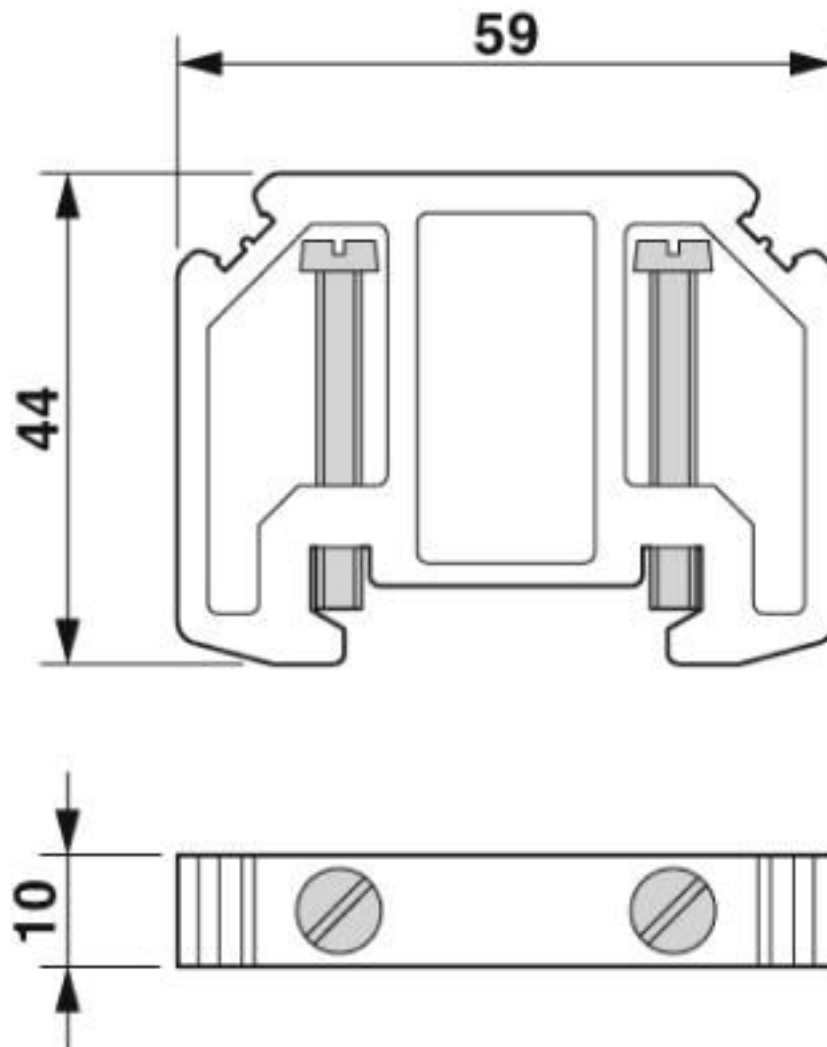
Flammability rating according to UL 94	-
--	---

### Environmental Product Compliance

China RoHS	Environmentally friendly use period: unlimited = EFUP-e
	No hazardous substances above threshold values

## Drawings

Dimensional drawing



## End clamp - E/AL-NS 35 - 1201662

### Classifications

#### eCl@ss

eCl@ss 10.0.1	27141135
eCl@ss 4.0	27141100
eCl@ss 4.1	27141100
eCl@ss 5.0	27141100
eCl@ss 5.1	27141100
eCl@ss 6.0	27141100
eCl@ss 7.0	27141135
eCl@ss 8.0	27141135
eCl@ss 9.0	27141135

#### ETIM

ETIM 2.0	EC000761
ETIM 3.0	EC001041
ETIM 4.0	EC001041
ETIM 5.0	EC001041
ETIM 6.0	EC001041
ETIM 7.0	EC001041

#### UNSPSC

UNSPSC 6.01	30212109
UNSPSC 7.0901	39121708
UNSPSC 11	39121708
UNSPSC 12.01	39121708
UNSPSC 13.2	39121425
UNSPSC 18.0	39121425
UNSPSC 19.0	39121425
UNSPSC 20.0	39121425
UNSPSC 21.0	39121425